

2. Specifications

2.1 Specification Sheet

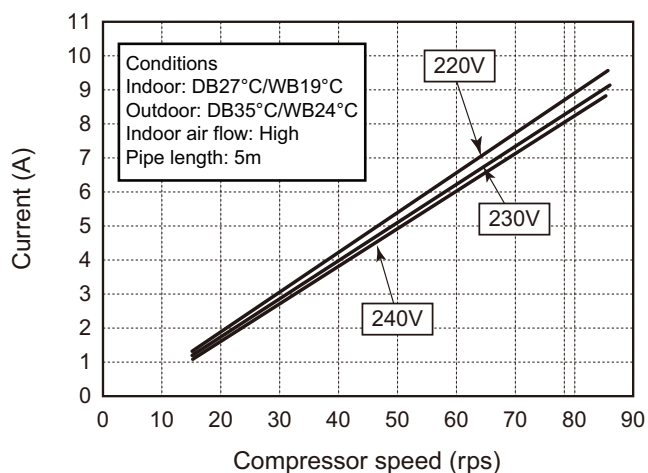
Parameter		Unit	Value	
Model			GWH12ACC-K6DNA1D	
Product Code			CB497001601	CB497001600
Power Supply	Rated Voltage	V~	220-240	220-240
	Rated Frequency	Hz	50	50
	Phases		1	1
Power Supply Mode			Outdoor	Outdoor
Cooling Capacity		W	3500	3500
Heating Capacity		W	3670	3670
Cooling Power Input		W	1085	1085
Heating Power Input		W	990	990
Cooling Current Input		A	5.0	5.0
Heating Current Input		A	4.5	4.5
Rated Input		W	1500	1500
Rated Current		A	6.6	6.6
Air Flow Volume(SS/H/MH/M/ML/L/SL)		m ³ /h	680/620/560/490/450/420/390	680/620/560/490/450/420/390
Dehumidifying Volume		L/h	1.4	1.4
EER		W/W	3.23	3.23
COP		W/W	3.71	3.71
SEER		W/W	7	7
SCOP(Average/Warmer/Colder)		W/W	4/5.1/3.3	4/5.1/3.3
Application Area		m ²	16-24	16-24
Indoor Unit	Indoor Unit Model		GWH12ACC-K6DNA1D/I	
	Indoor Unit Product Code		CB497N01600	
	Fan Type		Cross-flow	Cross-flow
	Fan Diameter Length(DXL)		mm	Φ98X633.5
	Cooling Speed(SS/H/MH/M/ML/L/SL)		r/min	1350/1200/1100/1000/920/850/800
	Heating Speed(SS/H/MH/M/ML/L/SL)		r/min	1300/1200/1120/1050/980/900/850
	Fan Motor Power Output		W	20
	Fan Motor RLA		A	0.31
	Fan Motor Capacitor		μF	1.5
	Evaporator Form			Aluminum Fin-copper Tube
	Evaporator Pipe Diameter		mm	Φ5
	Evaporator Row-fin Gap		mm	2-1.5
	Evaporator Coil Length (LXDXW)		mm	635X22.8X306.3
	Swing Motor Model			MP24BA
	Swing Motor Power Output		W	1.5
	Fuse Current		A	3.15
	Sound Pressure Level(SS/H/MH/M/ML/L/SL)		dB (A)	42/38/35/32/30/28/26
	Sound Power Level(SS/H/MH/M/ML/L/SL)		dB (A)	57/50/47/44/42/40/38
	Dimension (WXHXD)		mm	889X294X212
	Dimension of Carton Box (LXWXH)		mm	935X349X273
Dimension of Package(LXWXH)		mm	940X365X284	
Net Weight		kg	11	
Gross Weight		kg	13	

Outdoor Unit	Outdoor Unit Model		GWH12QC-K6DNA1D/O	GWH12QC-K6DNA1D/O
	Outdoor Unit Product Code		CB419W15501	CB419W15500
	Compressor Manufacturer		ZHUHAI LANDA COMPRESSOR CO.,LTD	ZHUHAI LANDA COMPRESSOR CO.,LTD
	Compressor Model		QXF-A102zE190B	QXF-A102zE190B
	Compressor Oil		FW68DA	FW68DA
	Compressor Type		Rotary	Rotary
	Compressor LRA.	A	/	/
	Compressor RLA	A	4.6	4.6
	Compressor Power Input	W	1023	1023
	Compressor Overload Protector		HPC115/95U1/KSD115°C	HPC115/95U1/KSD115°C
	Throttling Method		Electron expansion valve	Electron expansion valve
	Set Temperature Range	°C	16~30	16~30
	Cooling Operation Ambient Temperature Range	°C	-15~43	-15~43
	Heating Operation Ambient Temperature Range	°C	-15~24	-22~24
	Condenser Form		Aluminum Fin-copper Tube	Aluminum Fin-copper Tube
	Condenser Pipe Diameter	mm	Φ7.94	Φ7.94
	Condenser Rows-fin Gap	mm	1-1.4	1-1.4
	Condenser Coil Length (LXDXW)	mm	731X19.05X550	731X19.05X550
	Fan Motor Speed	rpm	900	900
	Fan Motor Power Output	W	30	30
	Fan Motor RLA	A	0.36	0.36
	Fan Motor Capacitor	μF	/	/
	Outdoor Unit Air Flow Volume	m ³ /h	2200	2200
	Fan Type		Axial-flow	Axial-flow
	Fan Diameter	mm	Φ438	Φ438
	Defrosting Method		Automatic Defrosting	Automatic Defrosting
	Climate Type		T1	T1
	Isolation		I	I
	Moisture Protection		IPX4	IPX4
	Permissible Excessive Operating Pressure for the Discharge Side	MPa	4.3	4.3
	Permissible Excessive Operating Pressure for the Suction Side	MPa	2.5	2.5
	Sound Pressure Level (H/M/L)	dB (A)	52/-/-	52/-/-
	Sound Power Level (H/M/L)	dB (A)	62/-/-	62/-/-
Dimension(WXHxD)	mm	848X596X320	848X596X320	
Dimension of Carton Box (LXWXH)	mm	878X360X630	878X360X630	
Dimension of Package(LXWXH)	mm	881X363X645	881X363X645	
Net Weight	kg	31	31	
Gross Weight	kg	34	34	
Refrigerant		R32	R32	
Refrigerant Charge	kg	0.7	0.7	
Connection Pipe	Connection Pipe Length	m	5	5
	Connection Pipe Gas Additional Charge	g/m	16	16
	Outer Diameter Liquid Pipe	mm	Φ6	Φ6
	Outer Diameter Gas Pipe	mm	Φ9.52	Φ9.52
	Max Distance Height	m	10	10
	Max Distance Length	m	20	20
	Note: The connection pipe applies metric diameter.			

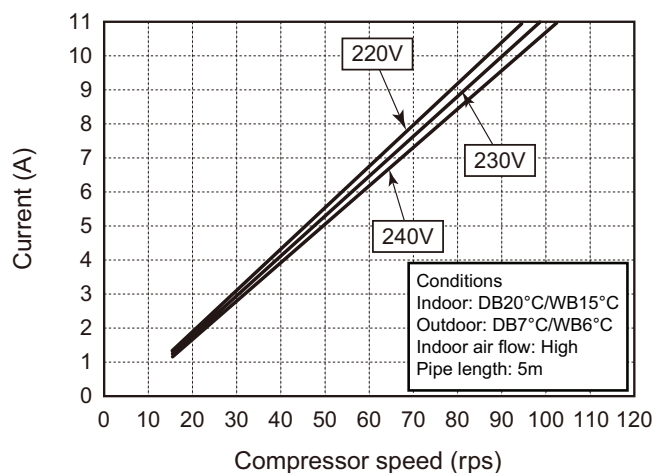
The above data is subject to change without notice. Please refer to the nameplate of the unit.

2.2 Operation Characteristic Curve

Cooling



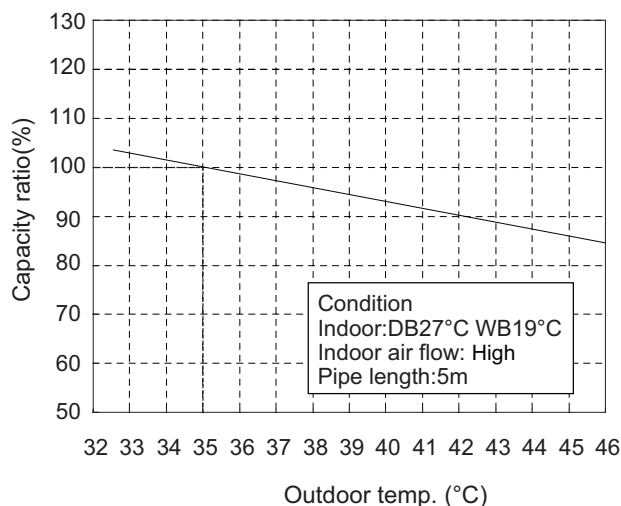
Heating



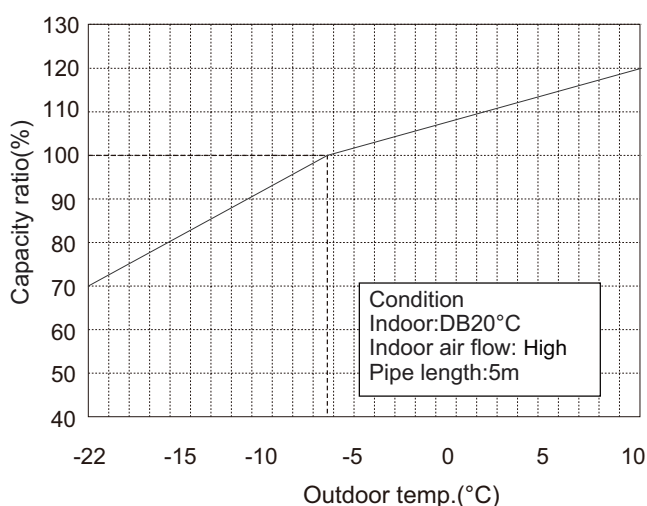
2.3 Capacity Variation Ratio According to Temperature

Heating operation ambient temperature range is -22°C~24°C

Cooling

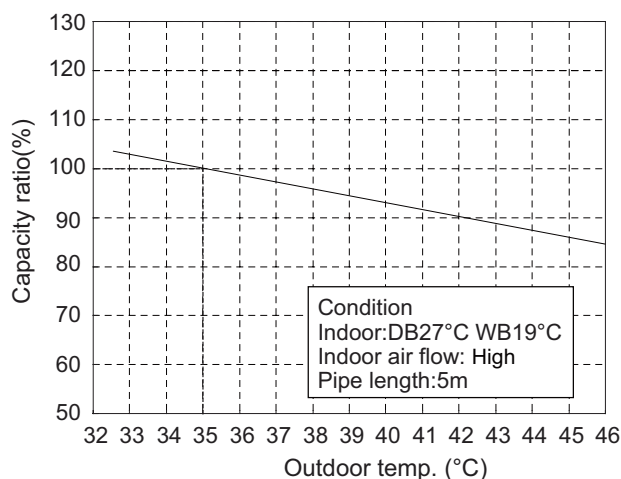


Heating

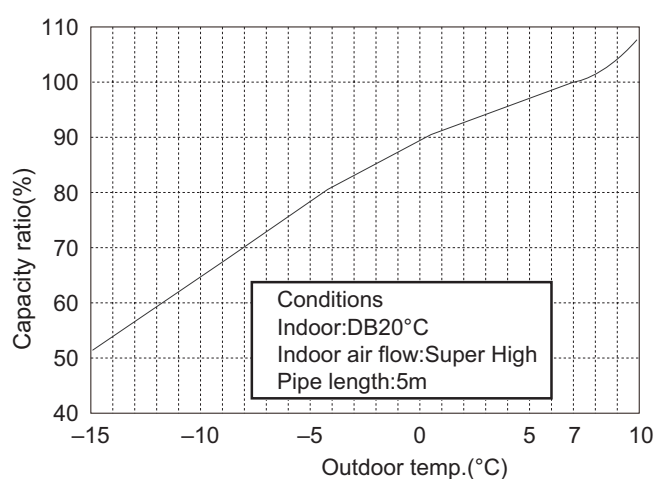


Heating operation ambient temperature range is -15°C~24°C

Cooling

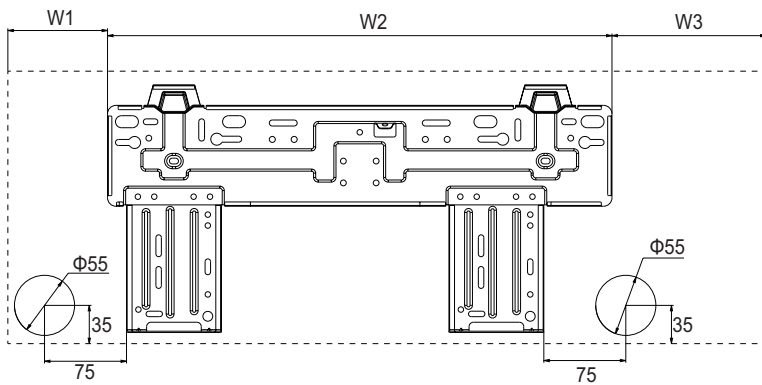
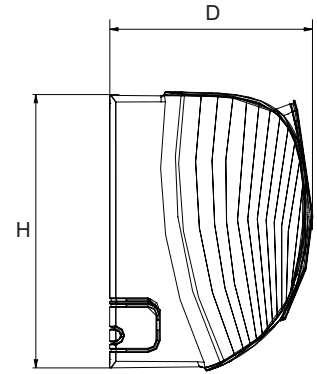
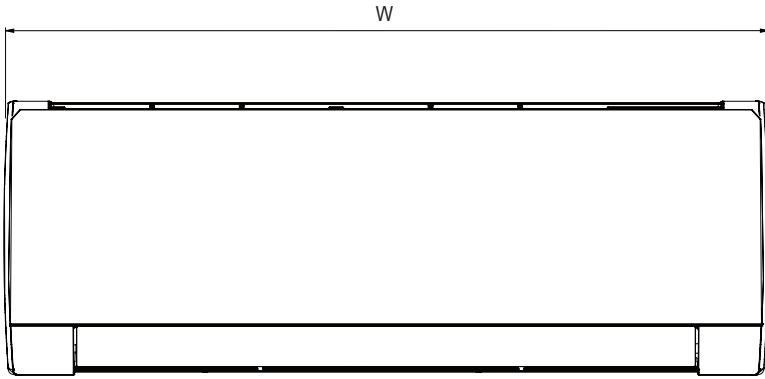


Heating

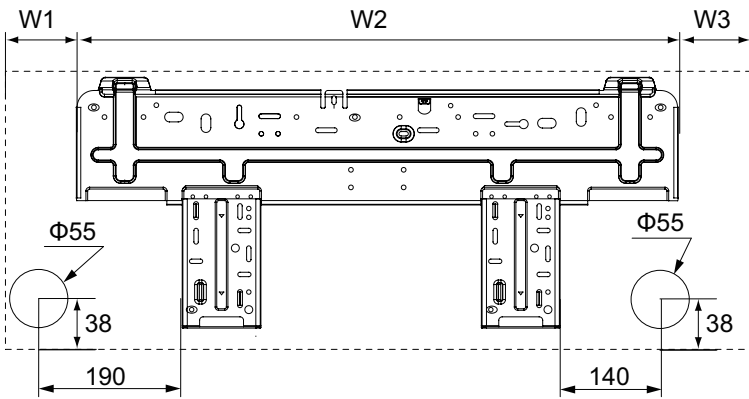


3. Outline Dimension Diagram

3.1 Indoor Unit



12K



18K

Unit:mm

Unit:mm

Models	W	H	D	W1	W2	W3
12K	889	294	212	201.5	541.5	146
18K	1013	307	221	125.5	685	202.5

